

Markwik 21 Panel Mixer, Demountable Single Lever Sequential, Detachable Spout and Bioguard

ILLUSTRATED

A6243 (TB-H2A) Markwik 21 integral thermostat, demountable panel mixer, single sequential lever, detachable spout and Armitage Bioguard outlet fitted

ILLUSTRATED PRODUCT DETAILS

Weights

A6243 4.00 KG

Finishes

A6243  Chrome (AA)

Materials

A6243 Chrome Plated Brass

Flow rates

A6243 7.5 Litres per minute @ 3 bar pressure

Standards

Conforms to HBN 00.10, HBN 00.09 and HTM 04-01 Addendum 2013.

Special Notes

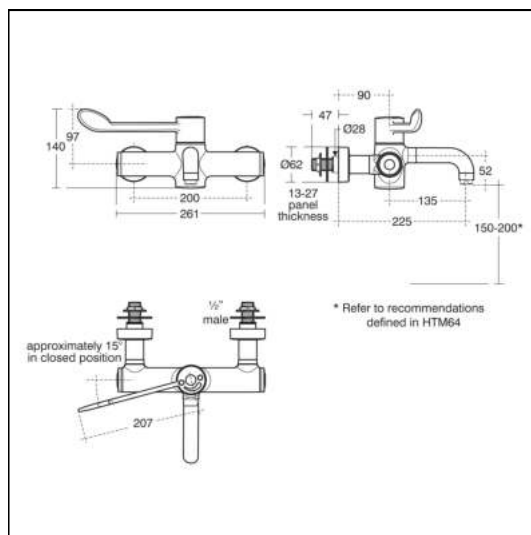
This product is fitted with an Armitage Bioguard outlet which reduces the opportunity for bio film attachment and is lined with anti-microbial copper.

Single lever operates on/off and temperature control. Suitable for high and low pressure systems. Unique built-in thermal disinfection cleansing feature using kit S8239NU a bridging hose which is reusable. A purging tool A4556AA is also available to facilitate initial installation or aid in system disinfection.

Flow rate regulated to maximum of 10 Litres per minute.

Includes thermal disinfection features, spout is removable for autoclave sterilisation, body demounts from legs or panel for submergible disinfection and Bioguard outlet also helps protect against bacteria.

* Line drawings shows recommended height over vessel please allow for clearance to any upstands. Especially suited to medium and large hospital pattern integral back outlet basins and washing associated with clinical or nursing procedures



ACCREDITATIONS



FEATURES

